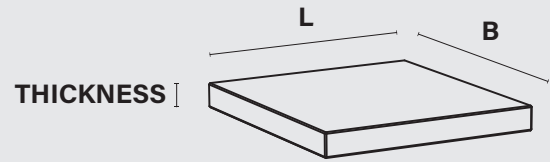
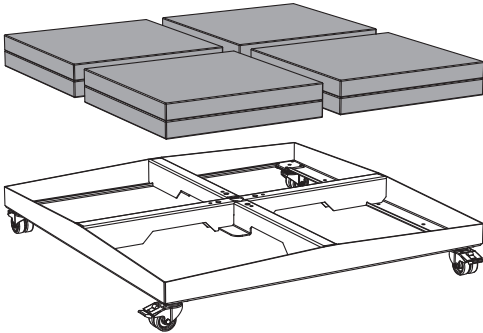


MEDIUM / LARGE BASE TILE DIMENSIONS

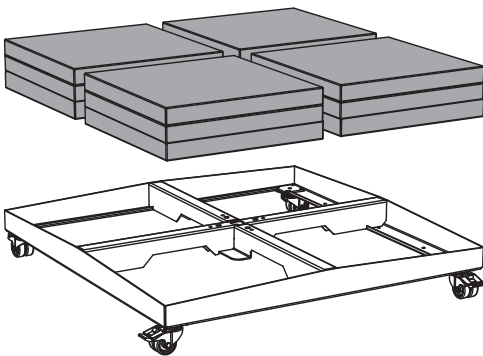
	MINIMUM	MAXIMUM
LxB	38 x 38 cm	40 x 40 cm
	15" x 15"	16" x 16"
THICKNESS	3.8 cm	4 cm
	1.5"	1.75"



MEDIUM BASE: 8 TILES



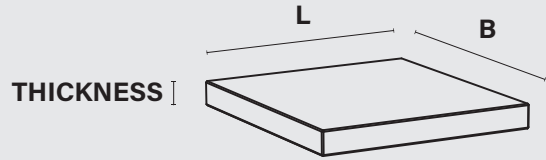
LARGE BASE: 12 TILES



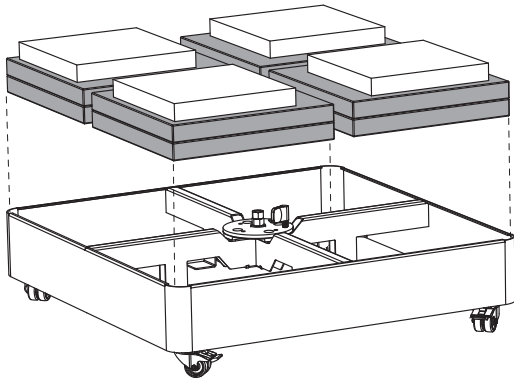
WHICH TILES FIT THE UMBROSA BASES?

UX BASE TILE DIMENSIONS

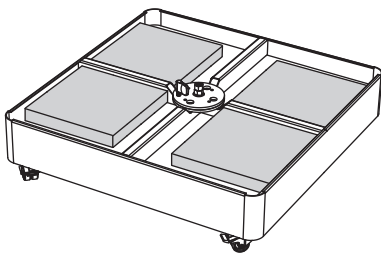
	MINIMUM	MAXIMUM
LxB	38 x 38 cm 15" x 15"	40 x 40 cm 16" x 16"
THICKNESS	3.8 cm 1.5"	4 cm 1.75"



UX BASE: 8 TILES + TOP LAYER**



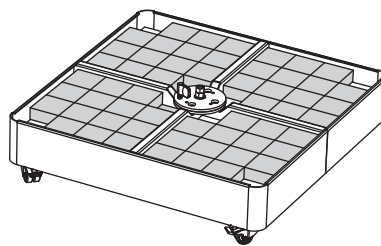
*3 TOP LAYER TILE OPTIONS



SMALLER CONCRETE TILE

example:

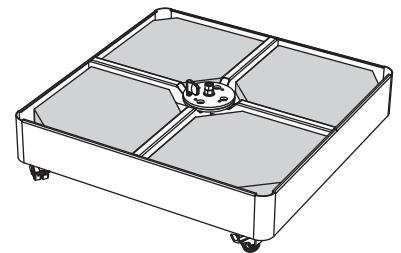
30x30 cm / 12"x12"
max. thickness = 4 cm / 1.75"



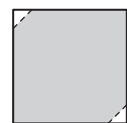
SMALL CONCRETE TILES

example:

10x10 cm / 0.4"x0.4"
max. thickness = 4 cm / 1.75"



CONCRETE TILE WITH 2X CORNER CUT



The content of this document, in particular the mentioned models, is protected by copyrights and/or design rights. The present document and its content is communicated to you for information purposes only. Any partial or total reproduction or any other use without our prior written permission is strictly prohibited. This technical sheet remains subject to possible changes. Of course we do our best to eliminate all mistakes, but Umbrosa is not responsible for the errors in the documentation of products. All measurements are approximate and are provided for informational purposes only.